



Camps with Meaning 2022



Camp Koinonia BOISSEVAIN



Camp Assiniboia HEADINGLEY





*Connecting to Creator,
Community, and Creation*

Hello,

Parents & Caregivers!

What a time it has been! We are super excited to welcome your kids back to camp for both day and overnight programs this summer. We are planning to fill their weeks with exciting activities, delicious food, new friends and loads of fun!

We strive to make camp a space where everyone has opportunities to connect with an amazing community, the awesome creation around us, and the Creator who loves us all. Your kids will build confidence and independence while being mentored by well-trained and fun-loving staff. Summer camp is a unique space for growth and experience in a beautiful outdoor setting that allows us to get up close and personal with God's good creation.

Camps with Meaning runs a Christian camp program at two sites to which campers of all experiences and perspectives are invited and welcomed. Bible time includes singing, stories, skits, and activities. The lessons each day will be based on this summer's theme of "Discipleship." Campers will learn about what it looks like to follow the example of Jesus in our relationships and interactions.

Join us this summer for adventures that will last a lifetime!

A handwritten signature in black ink that reads "Janet Peters". The signature is fluid and cursive, with a long horizontal line extending from the end.

JANET PETERS, ASSOCIATE PROGRAM DIRECTOR, CAMPS WITH MEANING

The Covid Note: Manitoba public health guidelines at the time camp happens will be followed. These may include limited capacities, mask use, distancing and/or mandatory vaccinations, and possible schedule changes. We will post regular updates on our website www.campswithmeaning.org.

Introducing our Camps!

Camps with Meaning runs summer camp at two sites which have many similar activities, but also some unique differences. Activities that you can participate in at either camp include archery, learning about nature, sharpening your camp skills, group games, swimming and a mid-week campout.

We have at least 5 weeks of camp for grades 1-9 and a special Youth week!

- » **Pre-Junior half-weeks** (completed gr 1-4)
- » **Junior-Intermediate** (completed gr 1-6) day camp option too!
- » **Junior High** (completed gr 6-9)
- » **Youth** (completed gr 9-12)

Check out the following pages for the calendar and what you can find at



and



Day Camp Option (completed gr 1-6)

If staying out at camp for the whole week is too far out of your comfort zone, take advantage of our day camp option during three of our Junior-Intermediate weeks this summer.

New this year: arrive at camp after breakfast and join the overnight campers for singing, Bible, and activities, and then head home for supper and nights in your own bed! Longer days, lunch, snacks and bus transportation are included in the fee.

Schedule & Rates



July

Sunday	Monday	Tuesday	Wednesday	Thursday	Friday	Saturday
10	11	12	13	14	15	16
Junior - Intermediate (completed gr 1-6 / \$475) Day Camp (completed gr 1-6 / \$370)						
17	18	19	20	21	22	23
Junior High (completed gr 6-9 / \$475) Junior-Intermediate (completed gr 1-6 / \$475) Day Camp (completed gr 1-6 / \$370)						
24	25	26	27	28	29	30
Junior High (completed gr 6-9 / \$475) Junior-Intermediate (completed gr 1-6 / \$475) Day Camp (completed gr 1-6 / \$370)						

August

July 31	1	2	3	4	5	6
Junior High Out-Trip (completed gr 6-9 / \$475)						
7	8	9	10	11	12	13
Junior-Intermediate (completed gr 1-6 / \$475) Intermediate (completed gr 5-8 / \$475) Intermediate Farm Camp (completed gr 5-8 / \$475) Pre-Junior (completed gr 1-4 / \$270)						Pre-Junior (completed gr 1-4 / \$270)
14	15	16	17	18	19	20
Youth (completed gr 9-12 / \$475)						
21	22	23	24	25	26	27
Junior High Adventure (completed gr 6-9 / \$475) Junior High Farm Camp (completed gr 6-9 / \$475)						

Details & Information

Register:

Fill out the online registration and submit your secure online payment or cheque made out to MCM - Camps. If you have any questions or issues during the online process, contact our office.

Note: Prices do not include GST (5%). A spot will only be secured when payment has been received.

\$25 Early Bird Discount available before March 31!!!

Check in:

Registration begins at 7:00 pm on the opening date of each session.

Day Camp daily drop off time is at 8:30 am at the Canadian Mennonite University's south parking lot (600 Shaftesbury Blvd).

Pick up and Closing Programs:

- » **Assiniboia:** begins at 6:00 pm on the closing date of each session.
- » **Koinonia:** begins at 1:30 pm on the closing date of each session.*
- » **Day Camp:** pick up at 5:30 pm daily at the Canadian Mennonite University's south parking lot (600 Shaftesbury Blvd)

* August 8 closing programs begin at 11:00 am

Take the Bus to Camp Koinonia!

Available each week to and from camp!

Why take the bus?

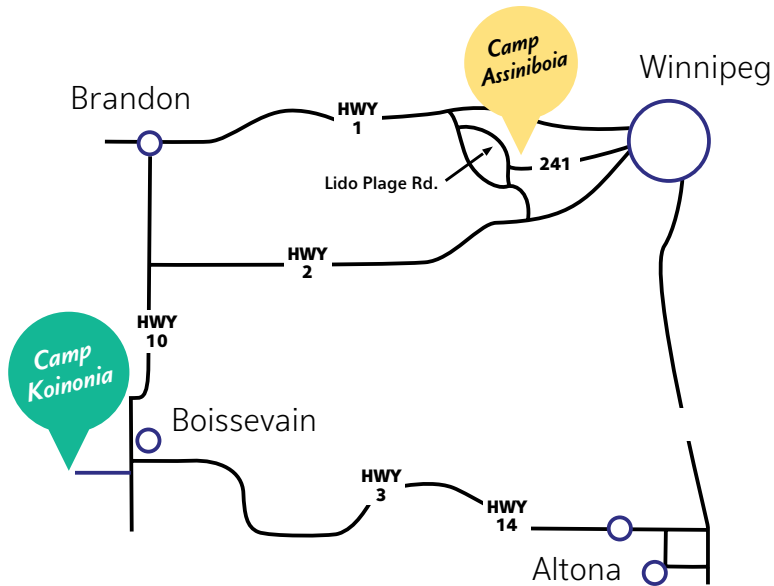
- » **1.** Meet new friends before you even get to camp
- » **2.** Convenient drop off and pick up locations
- » **3.** Save on gas and reduce environmental pollution

Where do we catch the bus?

The bus ride starts in Winnipeg at Canadian Mennonite University's south parking lot (600 Shaftesbury Blvd). There is also a brief stop in Morden en route to camp.

Bus fees: \$40 one way from Winnipeg, \$75 round-trip
 \$30 one way from Morden, \$55 round-trip

Finding Your Way



Assiniboia:

9 km west of Headingley on Hwy #1, then south on Prov Rd #424 and immediately east on Lido Plage Rd for 4 km. Approximately 16 km from Winnipeg.

Koinonia:

14 km south of Boissevain on Hwy #10, then west on Koinonia Rd for 6 km. Approximately 272 km from Winnipeg.

How to afford camp!

Camps with Meaning believes that nothing should get in the way of campers going to camp.

- » **1. Our Campership Fund** can help you make it happen. Anyone can qualify and get up to 30% off, so everyone can get to camp!
- » **2. There is an Early Bird Discount** of \$25 if you register by March 31, 2022. On top of that, families registering more than one camper qualify for a **Family Discount** of \$25 off of the second and any additional children.
- » **3. Other Funds and Bursaries** are available through the Manitoba Camping Association's Sunshine Fund at <http://www.mbcamping.ca/forparents/sunshine-fund.cfm>.





Camp
Koinonia



Camp Koinonia

archery | climbing wall | zipline | swimming | canoeing | campout

Camp Koinonia is located in the heart of Turtle Mountain Provincial Park south of Boissevain on the shore of beautiful Max Lake and offers its own unique relationship with creation through canoeing and swimming activities on and in the lake, wilderness campsites, a climbing wall, and a zipline!

CAMPS OFFERED ONLY AT KOINONIA:

- » **Junior High Out-Trip** (completed gr 6-9) - If you are looking to get out into the wilderness for a week, this is the camp for you! After a full day of learning, activities, and getting to know each other, campers will head out onto the lake in canoes for a camping adventure lasting 3 nights. Come and challenge yourself while building skills and friendships!
- » **Youth** (completed gr 9-12) - Join us for a week filled with challenging activities and workshops, new friends, learning together about faith, camping out around the lake, and a whole lot more. You get lots of chances to choose what you want to do and enjoy everything Koinonia has to offer – what could be better?





Camp Assiniboia

archery | farm | swimming | campout | ropes | kayaking

Camp Assiniboia is located just 20 minutes west of Winnipeg and offers unique opportunities to connect with creation through large forested areas with trails and campsites, a teaching garden and small animals, high ropes course with a zipline, kayaking and swimming in our new lake!

CAMPS OFFERED ONLY AT ASSINIBOIA:

- » **Pre-Junior** (completed gr 1-4) - For our youngest campers we offer the opportunity to get a taste of the overnight camp experience in two full days and two nights away from home. With all our usual programs and activities geared especially to them, your campers will make new friends and meet some amazing staff!
- » **Farm Camp** (completed gr 5-8 and gr 6-9) - Come and get your hands dirty at Farm Camp! Learn about caring for small animals, how vegetables grow and what to do about weeds, and make some delicious food from produce YOU harvest! Plus enjoy all of Assiniboia's great activities and head into the forest for a campout.
- » **Junior High Adventure** (completed gr 6-9) - Come and grab the chance to have a hand in building your week at camp! You will be able to choose some of their favorite activities, while still enjoying everything Assiniboia has to offer. Spend time in the garden, climbing the ropes course, and/or getting creative. Camping out in the forest and a thrilling night game will round out your week of adventure!



Camp Assiniboia



FAQs

Do you accommodate campers with special needs?

Absolutely! Our integration program provides support for children and youth who need adaptations to have a successful week. If your child needs any support or adaptations please provide details with your registration or give us a call. Apply early to hold your spot. Our Inclusion Coordinators will contact families starting in May to confirm your registration and to help us prepare any adaptive programming and care required. A conversation or interview may be requested.

Can I register my camper for more than one session?


Sure! Simply add multiple weeks to your online registration.

Will there be more information coming?

Yup! We begin sending out camper acceptance letters to registered campers in May. The email will include a packing list, transportation details, and anything else we can think of to help prepare your camper for camp.

What exactly is the Campership Fund and how do I apply?

The Campership Fund is monies our constituents have donated in order to help all campers who want to get to camp. Anyone is eligible for up to 30% off of the registration fee. We have tried to make the process as simple as possible within the online registration form – you will be asked about your household income and given a code to enter at the payment page.



campswithmeaning.org

204-895-CAMP (2267)

camps@mennochurch.mb.ca

600 Shaftesbury Blvd

Winnipeg, MB R3P 0M4

fb / campswithmeanin

twitter: @campswithmeanin

insta: @campswithmeaning

You read that right!

No "g" on those first two!

**Camps with Meaning is the camping ministry
of Mennonite Church Manitoba.**

